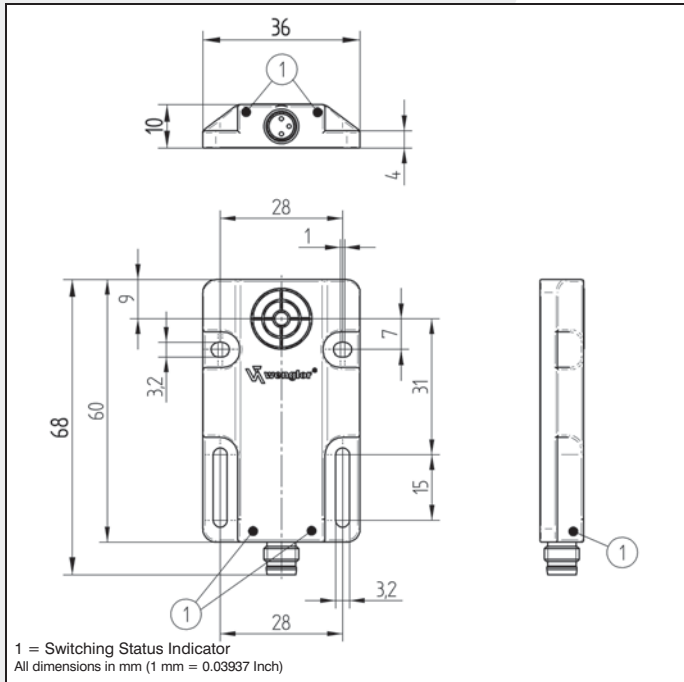


6 mm

10 × 36 mm; 60 - 68 mm

Switching Distance
flush



Technical Data

Inductive Data	
Switching Distance	6 mm
Correction Factors V2A/CuZn/Al	0,82/0,51/0,48
Mounting	flush
Mounting A/B/C/D in mm	0/50/18/0
Switching Hysteresis	< 15 %
Electrical Data	
Supply Voltage	10...30 V
Current Consumption (U _b = 24 V)	< 6 mA
Switching Frequency	600 Hz
Temperature Drift	< 10 %
Temperature Range	-25...80 °C
Switching Output Voltage Drop	< 2,5 V
Switching Output / Switching Current	200 mA
Residual Current Switching Output	< 100 µA
Short Circuit Protection	yes
Reverse Polarity and Overload Protection	yes
Protection Class	III
Mechanical Data	
Housing	Plastic
Full Encapsulation	yes
Degree of Protection	IP67
Connection	M8 × 1



Plug Version

	Plug Version	
	Part Number	IP060BK68VB8
Stock Type	●	●
PNP NO	●	●
PNP NC	●	●
Connection Diagram No.	102	109
Suiting Connection Technology No.	8	8

Connection Diagrams page 952 / System Components page 828