

Inductive All-Metal Switches

Correction Factor 1, Welding Field Resistant

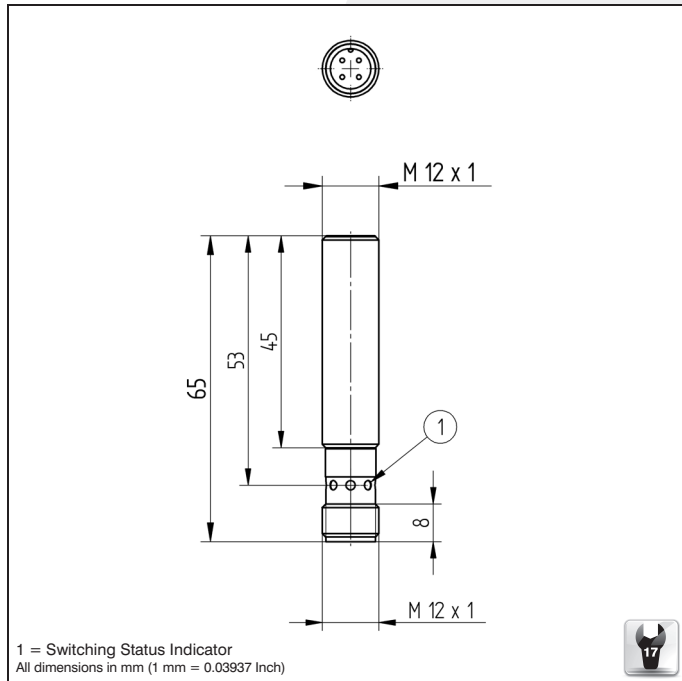
571



3 mm

M12 x 1; 40 - 80 mm

Switching Distance
flush



Technical Data

Inductive Data	
Switching Distance	3 mm
Correction Factors V2A/CuZn/Al	1,2/1,2/1,2
Mounting	flush
Mounting A/B/C/D in mm	0/24/9/0
Switching Hysteresis	< 15 %
Electrical Data	
Supply Voltage	10...30 V DC
Current Consumption (U _b = 24 V)	< 15 mA
Switching Frequency	1 kHz
Temperature Drift	< 10 %
Temperature Range	-25...70 °C
Switching Output Voltage Drop	< 2,5 V
Switching Output / Switching Current	200 mA
Residual Current Switching Output	< 100 µA
Resistant to Magnetic Fields	yes
Short Circuit Protection	yes
Reverse Polarity and Overload Protection	yes
Protection Class	III
Mechanical Data	
Housing	CuZn; Teflon
Welding Field Resistant	yes
Full Encapsulation	yes
Degree of Protection	IP67
Connection	M12 x 1

Plug Version

Part Number	IB030CT65VB3
Stock Type	●
PNP NO	●
Connection Diagram No.	102
Suiting Connection Technology No.	2
Suiting Mounting Technology No.	170

Stock Type	●
PNP NO	●
Connection Diagram No.	102
Suiting Connection Technology No.	2
Suiting Mounting Technology No.	170

Connection Diagrams page 952 / System Components page 828

